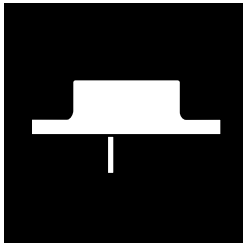


# POWER MOSFETS IN A TO-3 PACKAGE



## 1000V, Up To 6 Amp, N-Channel MOSFETs In A TO-3 Package

### FEATURES

- TO-3 Hermetic Package, .060 Dia. Leads
- Fast Switching
- Low  $R_{DS(on)}$
- 1000 Volt, Size 5 Die
- Available Screened To MIL-S-19500, TX, TXV And S Levels

### DESCRIPTION

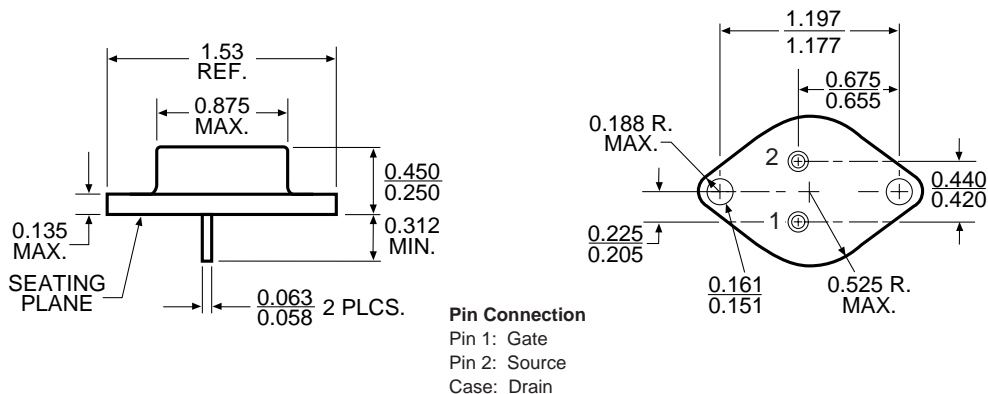
This series of hermetically packaged products feature the latest advanced MOSFET and packaging technology. They are ideally suited for Military requirements where small size, high performance and high reliability are required, and in applications such as switching power supplies, motor controls, inverters, choppers, audio amplifiers and high energy pulse circuits.

### MAXIMUM RATINGS

PART NUMBER	$V_{DS}$ (V)	$R_{DS(on)}$ ( )	$I_D$ (A)
OM5N100NK	1000	3.0	5.0
OM6N100NK	1000	2.0	6.0

3.1

### MECHANICAL OUTLINE



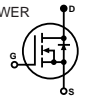
**ELECTRICAL CHARACTERISTICS:**  $T_C = 25^\circ\text{C}$  unless otherwise noted

Parameter	Min.	Typ.	Max.	Units	Test Conditions
$BV_{DSS}$ Drain-Source Breakdown Voltage	1000			V	$V_{GS} = 0$ , $I_D = 250\text{ mA}$
$V_{GS(th)}$ Gate-Threshold Voltage	2.0		4.0	V	$V_{DS} = V_{GS}$ , $I_D = 250\text{ mA}$
$I_{GSSF}$ Gate-Body Leakage Forward			100	nA	$V_{GS} = 20\text{ V}$ , $V_{DS} = 0$
$I_{GSSR}$ Gate-Body Leakage Reverse			- 100	nA	$V_{GS} = - 20\text{ V}$ , $V_{DS} = 0$
$I_{DSS}$ Zero Gate Voltage Drain Current			0.25	mA	$V_{DS} = \text{Max. Rat.}$ , $V_{GS} = 0$
			1.0	mA	$V_{DS} = 0.8 \times \text{Max. Rat.}$ , $V_{GS} = 0$ , $T_C = 125^\circ\text{C}$
$I_{D(on)}$ On-State Drain Current	5.0			A	$V_{DS} > I_{D(on)} \times R_{DS(on)Max.}$ , $V_{GS} = 10\text{ V}$
$R_{DS(on)}$ Static Drain-Source On-State Resistance <sup>1</sup> - OM5N100NK			3.0		$V_{GS} = 10\text{ V}$ , $I_D = 2.5\text{ A}$
$R_{DS(on)}$ Static Drain-Source On-State Resistance <sup>1</sup> - OM5N100NK			6.0		$V_{GS} = 10\text{ V}$ , $I_D = 2.5\text{ A}$ $T_C = 100^\circ\text{C}$
$R_{DS(on)}$ Static Drain-Source On-State Resistance <sup>1</sup> - OM6N100NK			2.0		$V_{GS} = 10\text{ V}$ , $I_D = 3.0\text{ A}$
$R_{DS(on)}$ Static Drain-Source On-State Resistance <sup>1</sup> - OM6N100NK			4.0		$V_{GS} = 10\text{ V}$ , $I_D = 3.0\text{ A}$ $T_C = 100^\circ\text{C}$

**DYNAMIC**

$g_{fs}$ Forward Transductance	4.0			S	$V_{DS} = 25\text{ V}$ , $I_D = 3.5\text{ A}$
$C_{iss}$ Input Capacitance		2800		pF	$V_{GS} = 0$
$C_{oss}$ Output Capacitance		350		pF	$V_{DS} = 25\text{ V}$
$C_{rss}$ Reverse Transfer Capacitance		130		pF	$f = 1\text{ MHz}$
$T_{d(on)}$ Turn-On Delay Time		65		ns	$V_{DD} = 400\text{ V}$ , $I_D = 6\text{ A}$
$t_r$ Rise Time		55		ns	$R_g = 7\text{ }\Omega$ , $V_{GS} = 10\text{ V}$
$t_{d(off)}$ Turn-Off Delay Time		62		ns	$V_{DD} = 800\text{ V}$ , $I_D = 6\text{ A}$ ,
$t_f$ Fall Time		25		ns	$R_g = 7\text{ }\Omega$ , $V_{GS} = 10\text{ V}$

**BODY-DRAIN DIODE RATINGS AND CHARACTERISTICS**

$I_S$ Continuous Source Current (Body Diode)			6	A	Modified MOSPOWER symbol showing the integral P-N Junction rectifier. 
$I_{SM}$ Source Current <sup>2</sup> (Body Diode)			24	A	
$V_{SD}$ Diode Forward Voltage <sup>1</sup>			2.5	V	$T_C = 25\text{ }^\circ\text{C}$ , $I_S = 6\text{ A}$ , $V_{GS} = 0$
$t_{rr}$ Reverse Recovery Time		1100		ns	$I_F = I_S$ , $V_{DD} = 100\text{ V}$ , $di_F/ds = 100\text{ A/ms}$ , $T_J = 150^\circ\text{C}$

**1 Pulse Test:** Pulse Width 300msec, Duty Cycle 1.5%.

**2** Pulse Width limited by safe operating area.

**ABSOLUTE MAXIMUM RATINGS** ( $T_C = 25^\circ\text{C}$  unless otherwise noted)

Symbol	Parameter	OM5N100NK	OM6N100NK	Units
$V_{DS}$	Drain-Source Voltage	1000	1000	V
$V_{DGR}$	Drain-Source Voltage ( $R_{GS} = 20\text{ k}$ )	1000	1000	V
$I_D @ T_C = 25^\circ\text{C}$	Continuous Drain Current	5.0	6.0	A
$I_D @ T_C = 100^\circ\text{C}$	Continuous Drain Current	3.1	3.7	A
$I_{DM}$	Pulsed Drain Current <sup>1</sup>	24	24	A
$V_{GS}$	Gate-Source Voltage	$\pm 20$	$\pm 20$	V
$P_D @ T_C = 25^\circ\text{C}$	Maximum Power Dissipation	130	130	W
$P_D @ T_C = 100^\circ\text{C}$	Maximum Power Dissipation	51	51	W
Junction-To-Case	Linear Derating Factor	1.00	1.00	$W/^\circ\text{C}$
Junction-To-Ambient	Linear Derating Factor	.033	.033	$W/^\circ\text{C}$
$T_J$	Operating and			
$T_{stg}$	Storage Temperature Range	-55 to 150	-55 to 150	$^\circ\text{C}$
Lead Temperature	(1/16" from case for 10secs.)	300	300	$^\circ\text{C}$

**1 Pulse Test:** Pulse width 300  $\mu\text{sec}$ . Duty Cycle 2%.

**THERMAL RESISTANCE** (Maximum) at  $T_A = 25^\circ\text{C}$ 

$R_{thJC}$	Junction-To-Case	Max.	1.0	$^\circ\text{C/W}$	
$R_{thJA}$	Junction-to-Ambient		30	$^\circ\text{C/W}$	Free Air Operation